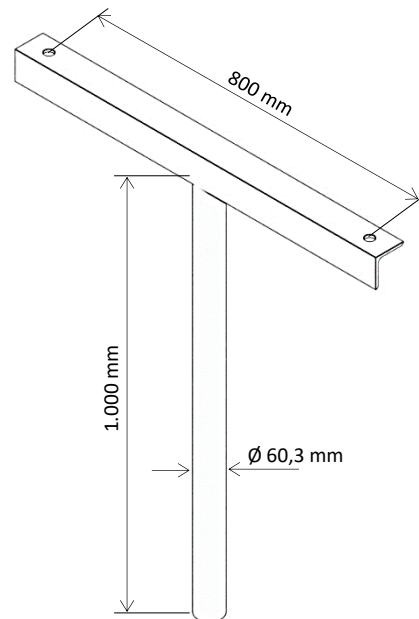


Lamp bracket for 2 lamps



Specification:

The lamp bracket consists of 1m vertical top pole, with horizontal beam. The beam has two holes for lamp installations.

The top pole is mounted in a top ring with steel pin bolts at the top of the lattice structure.

Dimensions and Quality:	1.00 m \varnothing 60,3x5,0 mm, S355J2 according to EN 10025-2. 0,90 m L70x70x7,0 mm, S235JR according to EN 10025-2.
Surface:	Hot dip galvanized according to EN ISO 1461.
Fixation, mast:	Top ring with steel pin bolts
Fixation, lamps:	Bolts M20x40 mm
Weight:	16 kg (+ lamps)
Wind drag area:	0,20 m ² (+ lamps)

Application:

Lamp types for BRACKET 02-00:

For example: Siteco A3 Maxi metal halide (0,13 m² wind drag area). Siteco FL20 Maxi LED equivalent to 1.000W metal halide (0,11 m² wind drag area). Phillips 20 Optivision metal halide (0,072 m² wind drag area)

Max weight/lamp:	g = 22 kg
Max wind drag area/lamp:	$A_{tot} = 0,13 \text{ m}^2$ ($A_{tot} = A_{ref} \times C_f$)
Max wind load:	2,23 kN/m ² (3-sec gust wind = 59,7 m/s)

The design is made according to BS/EN 1993-1-1 – Steel structures – General rules.
Wind load according to BS/EN 1991-1-4 – Actions on structures – Wind load.