

Installation:

1st nut should be spanned with 40 - 45Nm.

2nd nut should shall be brought at least to a snug-tight condition, with special care being given to avoid over-tightening.

Nut-marking should be made acc. to figure after torque.

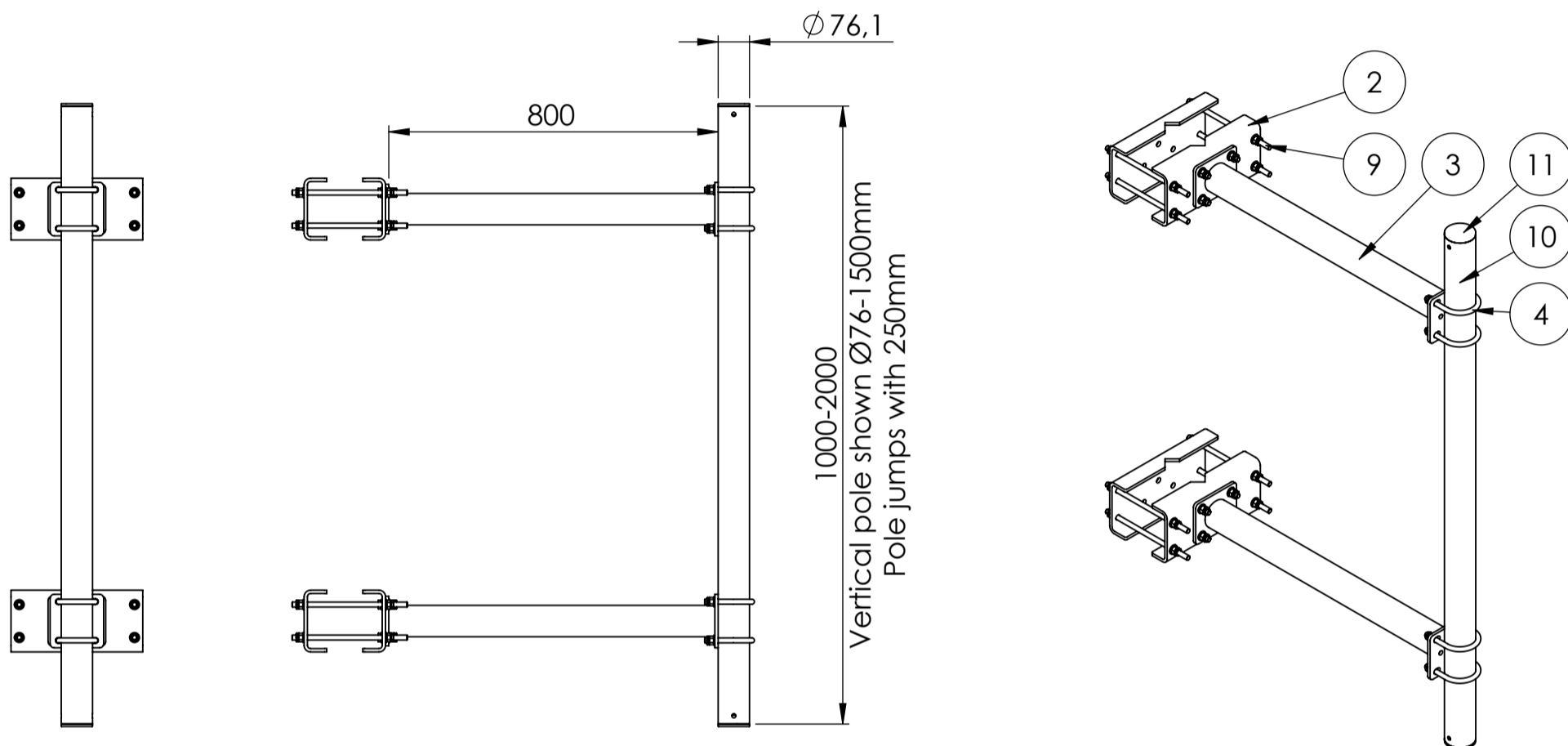
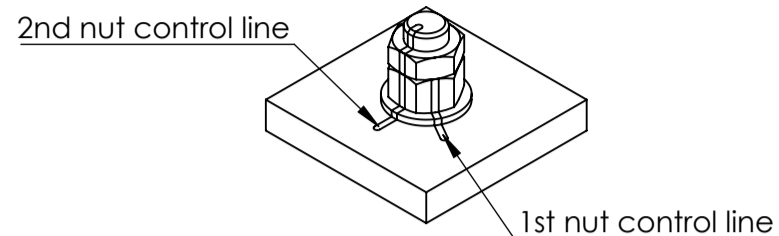
Maintenance:

Visual inspection of bolt torque and any loose items is made 1 year after installation, and afterwards every 5th year.

Check if the marking from bolt torque is still straight.

Check if the corrosion protection system is satisfactory.

Any findings must be repaired as soon as possible.



Basic wind $V_{b,0} = 27$ m/s
 Terrain class TC = 1
 Max height of installation = 70m

Max loads per 1 mount pole from equipment: 100kg, CxA=1.0m²

ITEM NO.	PART NUMBER	DESCRIPTION	QTY.
2	CB-L120-180 300	C bracket L120-180	4
3	CVB_H800	Horizontal pole for C and V bracket - Vertical $\varnothing 60,3-76,1$	2
4	U-bolt M12 C-C = 90		4
5	Washer ISO 7089 - 12		40
6	ISO 4017 - M12 x 45-N		8
7	ISO - 4032 - M12 - W - N		32
8	ISO - 4035 - M12 - N		32
9	M12x280 DIN976	Horizontal pole bracket pin-bolts	8
10	Pole $\varnothing 76-1500$	Vertical pole $\varnothing 76,1$ - length: 1500	1
11	GL 76x1.6-4	tubular legs for $\varnothing 76,1$	2

Rev.:	Int.:	Date:	Comment		
Customer.:					
Subjekt.:		Antenna offset f. L120-180 with fixed pole			
Date.:	24-06-2020	Production no.:	Scale.:	1:15	Format:A3
Order no.:		Calculation:	Int.:	SP/MRF	Projection:
Drawing. No.:	CB-L120-180 H800		Note.:		Tolerance: DS/EN 1090-2 DS/ISO 2768-2-L
This drawing is our property and must not be copied, transferred or in any way used by a third party without our written permission					